

QUICK INSTALLATION GUIDE

MT366G

Hardware Description



Please carefully read the user guide before use in order to avoid damages and quickly get the device to operate. Product appearance, color and accessories are subject to change without prior notice in this manual

*Version 2.1
Updated: 29 November 2018*

*Contact us on 7901617 for any assistance required.
www.followme.mv, info@followme.mv*

Product Specifications

Product Specification		
Size	80.5mm x 60mm x 23.5mm	
Weight	100g	
Battery	450 mAh High-Temperature Battery	
Standby time	24 hours	
Power In	DC 12V, 24V or 36V	
Networks	WCDMA 900/2100MHz GSM 900/1800MHz	
SIM Type	MICRO SIM	
Location Accuracy	2.5m	
Working temperature	-20 Deg C to +80 Deg C	
Waterproof	IP67	
LED	Green	UMTS/GPRS indicator
	Blue	GPS indicator

Installation Instructions

Open the Device



Pull the lid to open the device



Insert SIM card



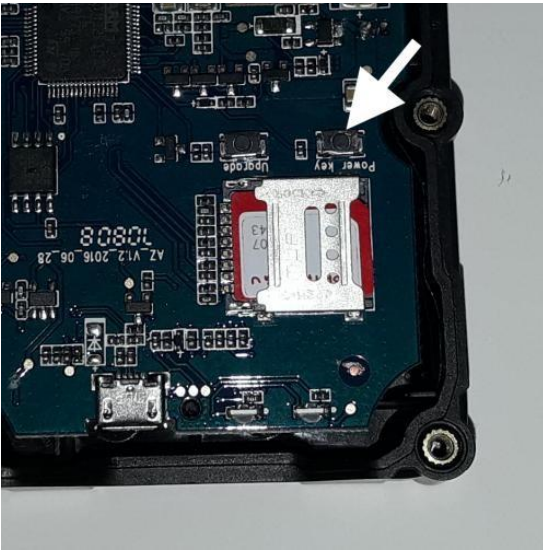
Locate the SIM card holder. Slide the metal plate LEFT to unlock and pull UP



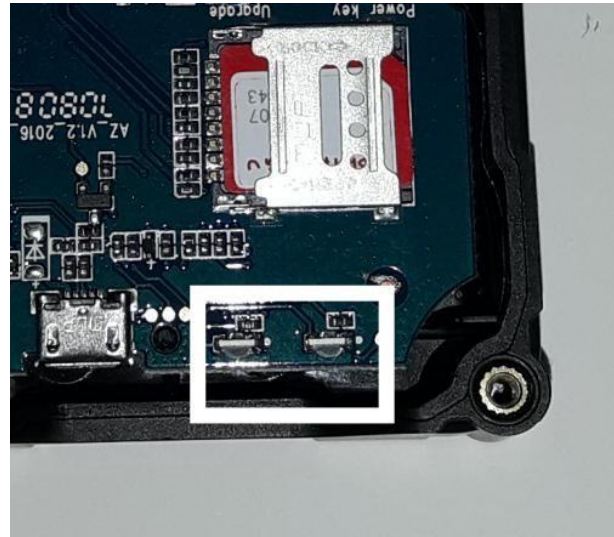
Position the Nano SIM in the slot, Flip close the SIM card holder metal plate, slide the metal plat right to lock.

Switch ON the device.

The tracking device switches ON automatically when connected to DC Power. To manually switch ON the device (without external power connection), use the power switch



Press and hold the power switch until LEDs start flashing (usually 3-5 seconds)



Close the cover when the LEDs start flashing

Close the Cover



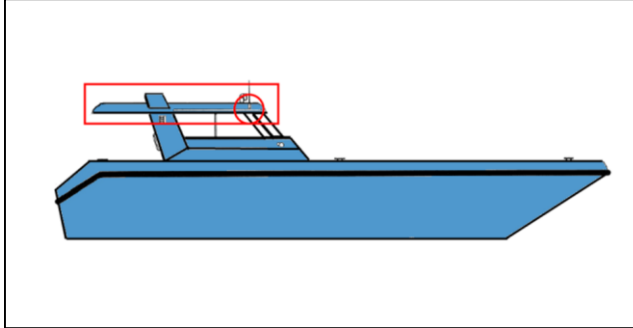
Make sure the water proof seal is securely placed and close the cover. Tighten with the screws provided



Keep this side UP when fixed on boat.

Fixing the device on Boats

Speed Boats



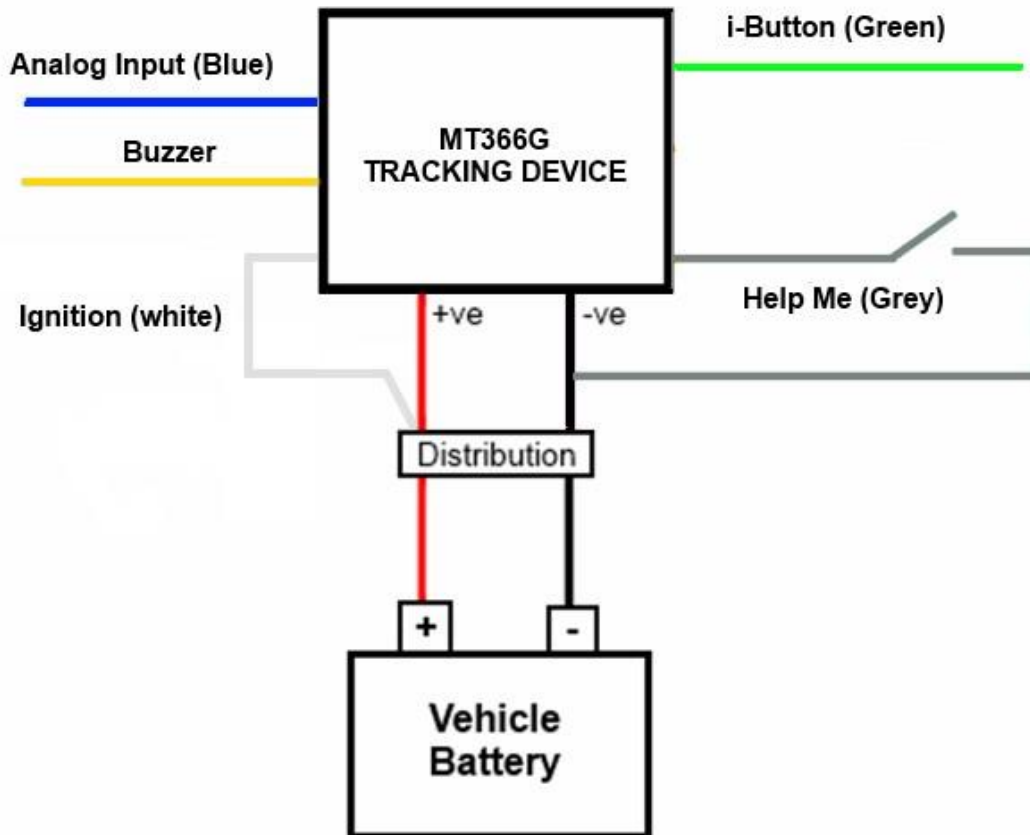
Fishing Dhoni



- Fix the tracking device at the highest location possible.
- A recommended location for speed boat is near the VHF set where the DC power is available (marked by a circle)
- Keep the tracking device face up for better GPS reception.

Cable Details

Wire Color	Name	Description
RED	BATTERY +	11 to 36V DC input power (Battery +ve)
BLACK	GND	Battery -ve
GRAY	HELP ME	"HELP ME" alert – OPTIONAL
WHITE	IGNITION	Connect Battery +ve with RED wire
BLUE	ANALOG INPUT	OPTIONAL
YELLOW	BUZZER	NOT USED
GREEN	iButton	OPTIONAL



Note:

- For basic installation, twist RED & WHITE wire together and connect to Battery +ve, Black to battery -ve (Other cables not used)
- If engine start notification required, connect the “Ignition” wire to engine start key. When engine started, Ignition wire connected to battery +ve (Not recommended for boats)
- For “Help Me” notification, connect Grey wire and battery –ve to push button.
- iButton wires – Connect iButton for driver identification (optional)
- Analog Input and Buzzers not used.



- Please connect DC power with correct Polarity. Incorrect polarity may damage tracking device and voids warranty.
- Use micro SIM for the device.
- Activate Prepaid SIMs before using for the device.
- Remove PIN number from SIM before using.